

Mental mathematics Test A

First name

Last name

School _____

Total marks

Practice question

		99	
--	--	----	--

Time: 5 seconds

1		42	1
---	--	----	---

2	8 4 7	
	4 9	
		2

3		$4b + 5b$	3
---	--	-----------	---

4		0.1 4	4
---	--	----------	---

5		-2	5
---	--	----	---

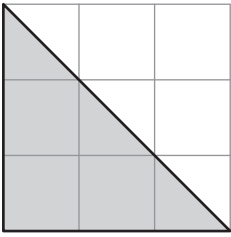
6		4.875	6
---	--	-------	---

Time: 5 seconds continued

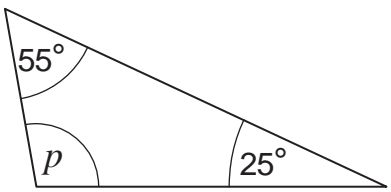
7		$y = 3x + 2$	7
---	--	--------------	---

Time: 10 seconds

8		300	8
---	--	-----	---

9			
	cm^2		
		9	

10		40 50	10
----	--	----------	----

11			
	$^\circ$		
		11	

12		$a = 5b - 4$	12
----	--	--------------	----

13		20% 6	13
----	--	----------	----

14	miles	40mph	14
----	-------	-------	----

15		20	15
----	--	----	----

16		$3(a - 5)$	16
----	--	------------	----

17		5.7	17
----	--	-----	----

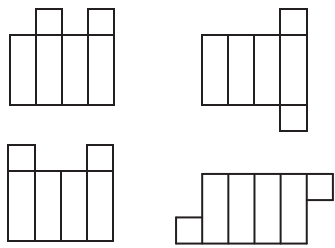
Time: 10 seconds continued

18	<table border="1"> <thead> <tr> <th>Colour</th> <th>Probability</th> </tr> </thead> <tbody> <tr> <td>red</td> <td>0.4</td> </tr> <tr> <td>green</td> <td>0.3</td> </tr> <tr> <td>blue</td> <td></td> </tr> </tbody> </table>		Colour	Probability	red	0.4	green	0.3	blue		
	Colour	Probability									
	red	0.4									
	green	0.3									
blue											
		18									

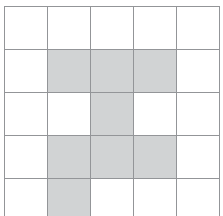
19	£	£1.20	19
----	---	-------	----

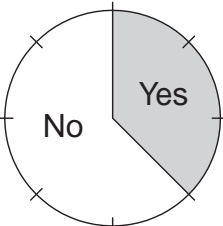
20		$\frac{m^3}{m}$	20
----	--	-----------------	----

Time: 15 seconds

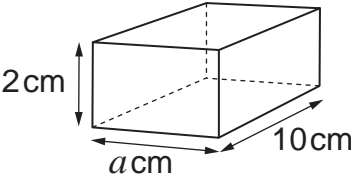
21			
			21

22	$20 \times 38 = 760$	
	$21 \times 38 =$ <input type="text"/>	22

23		
		23

24		
	people	24

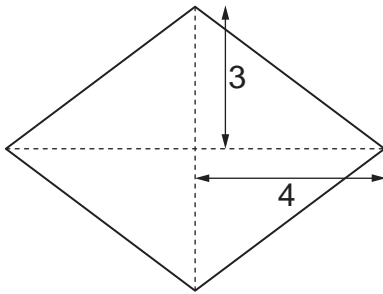
Time: 15 seconds continued

25		
	cm	25

26	<table border="1"> <thead> <tr> <th>Televisions</th> <th>Frequency</th> </tr> </thead> <tbody> <tr> <td>0</td> <td>2</td> </tr> <tr> <td>1</td> <td>10</td> </tr> <tr> <td>2</td> <td>10</td> </tr> <tr> <td>3</td> <td>8</td> </tr> </tbody> </table>		Televisions	Frequency	0	2	1	10	2	10	3	8	
	Televisions	Frequency											
	0	2											
	1	10											
	2	10											
3	8												
		26											

27		5 faces	27
----	--	---------	----

28		$2\frac{3}{4}$ 0.3	28
----	--	--------------------	----

29		
		29

30		8^2	30
----	--	-------	----